

P/N:1PXF326X0DX

NOTES :

1.MATERIAL

OUTER SHELL : HIGH TEMPERATURE PLASTIC,UL94V-0

FLUID CONTACT : COPPER ALLOY,NICKEL PLATED

HEX NUT : COPPER ALLOY,NICKEL PLATED

FRONT NUT : HIGH TEMPERATURE PLASTIC,UL94V-0

2.ALL DIMENSIONS ARE IN MILLIMETERS

3.ROHS DIRECTIVE COMPLANCE

4.PANEL HOLE

5.CHARACTERISTICS

5.1.MAX WORKING PRESSURE : 2 bars

5.2.WORKING TEMPERATURE : -20~150°C

5.3.TUBE DIAMETER INNER/OUTER : 4mm/6mm

1P CIRCULAR ASSEMBLY P/N DESCRIPTION :

1P X F3 26 X 0 D X  
 ① ② ③ ④

① Type

- A=Shell:PSU Grey
- B=Shell:PSU Black
- C=Shell:PEI Grey
- D=Shell:PEI Black
- E=Shell:PPSU Grey
- F=Shell:PPSU Black

② Inner fluid contact diameter  
 26= 2.6mm

③ Keying

- G= 0°      H= 170°
- A= 40°     J= 205°
- B= 60°
- C= 80°

④ Nut Colour

- 0= Black      5= Green
- 1= White      6= Blue
- 2= Red        8= Grey
- 4= Yellow

A

THIRD ANGLE PROJECTION 	TOLERANCES UNLESS OTHERWISE SPECIFIED
UNITS <input checked="" type="checkbox"/> mm <input type="checkbox"/> INCH	0 PLC ± 1.00
ANGLES 0 PLC ± 3	1 PLC ± 0.50
1 PLC ± 2	2 PLC ± 0.25
	3 PLC ±
	4 PLC ±

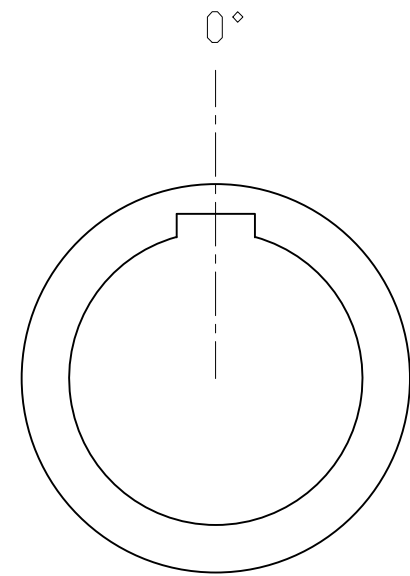
**CIRCON**<sup>®</sup>  
 Dongguan Circon Technology Co.,Ltd.

TITLE: 1P CIRCULAR CONNECTOR  
 FIXED SOCKETS WITH FLUID CONTACT

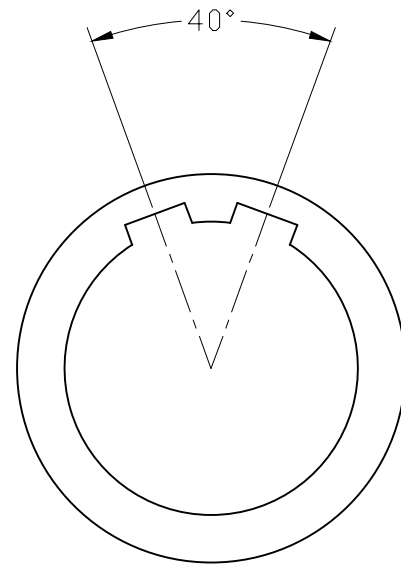
B1	Change fo P/N	ECR18006	2018-3-1	CHECKED BY	CHARLES	DATE	2018-3-2
REV.	REVISION DESCRIPTION	ECR/ECN NO.	DATE	DRAWN BY	ANDY	DATE	2018-3-2

C	DRAWING NO.	A-M-014	REV.	B1
	PART NO.	1PXF326X0DX		
SIZE: A3	SCALE: 1:1	SHEET: 1 OF 2		

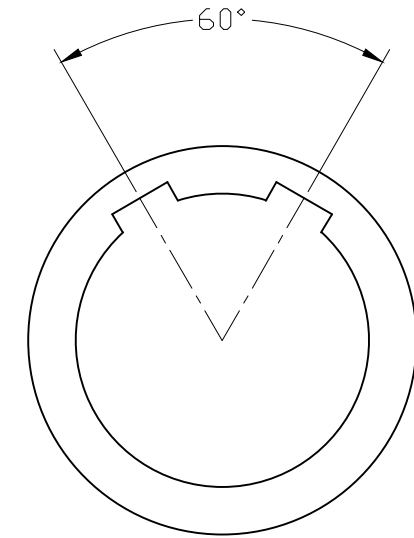
KEYING (RECEPTACLE FRONT VIEW):



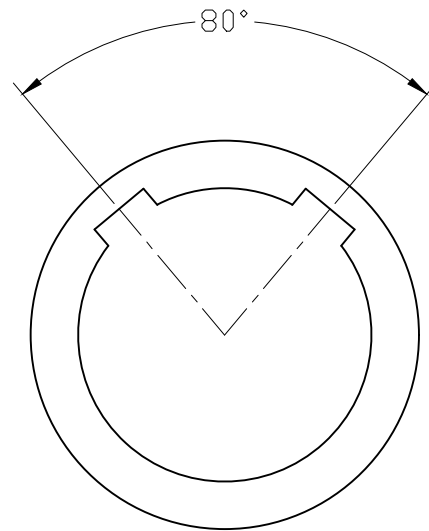
0



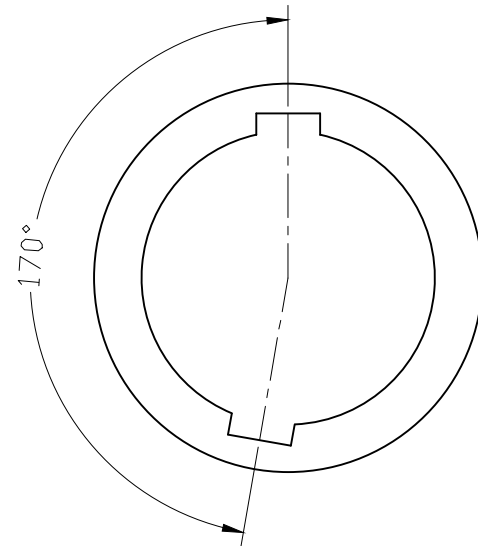
A



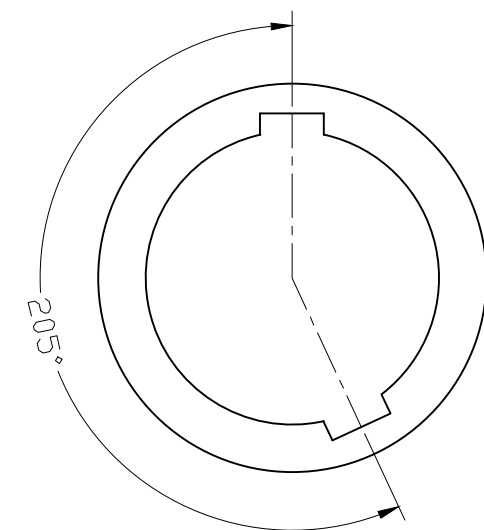
C



E

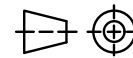


H



J

THIRD ANGLE PROJECTION



TOLERANCES UNLESS OTHERWISE SPECIFIED

UNITS ■ mm □ INCH

ANGLES 0 PLC ± 3  
1 PLC ± 2

0 PLC ± 1.00  
1 PLC ± 0.50  
2 PLC ± 0.25  
3 PLC ±  
4 PLC ±



Dongguan Circon Technology Co.,Ltd.

TITLE: 1P CIRCULAR CONNECTOR  
FIXED SOCKETS WITH FLUID CONTACT

APPROVED BY JACK

DATE 2018-3-2

CHECKED BY CHARLES

DATE 2018-3-2

DRAWN BY ANDY

DATE 2018-3-2

DRAWING NO. A-M-014 REV. B1

PART NO. 1PXF326X0DX

SIZE: A3 SCALE: 1:1 SHEET: 2 OF 2

REV.	REVISION DESCRIPTION	ECR/ECN NO.	DATE
B1	Change fo P/N	ECR18006	2018-3-1