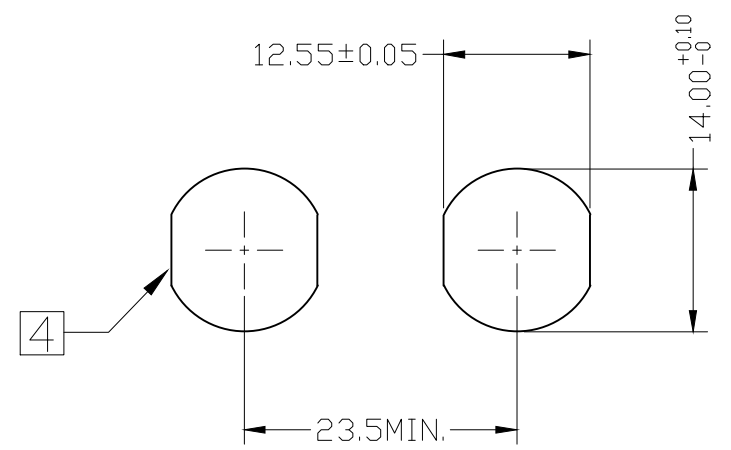
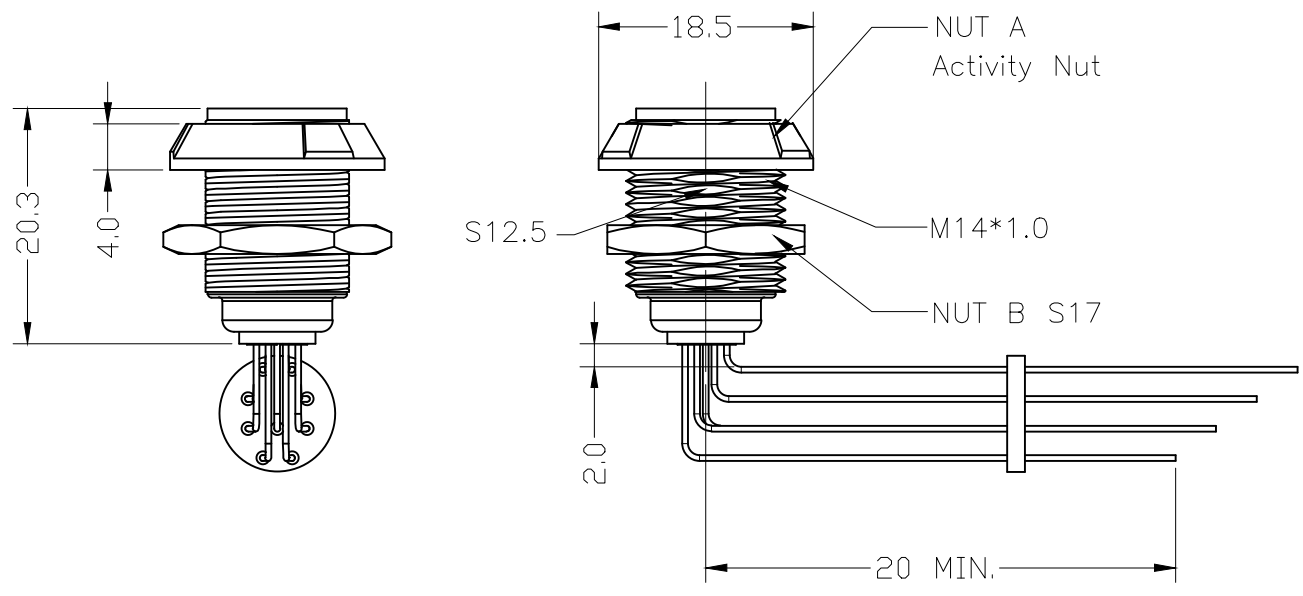


1P CIRCULAR ASSEMBLY P/N DESCRIPTION :

1P X F5 XX X 0 D X  
 ① ② ③ ④



P/N:1PXF5XXX0DX

- ① Type  
 A=Shell:PSU Grey  
 B=Shell:PSU Black  
 C=Shell:PEI Grey  
 D=Shell:PEI Black  
 E=Shell:PPSU Grey  
 F=Shell:PPSU Black
- ② Number of contacts  
 02=2Pin  
 ...  
 14=14Pin
- ③ Keying  
 G= 0° (2-14Pin)  
 A= 40° (2-14Pin)  
 B= 60° (2-14Pin)  
 C= 80° (2-14Pin)  
 H= 170° (8,10&14Pin)  
 J= 205° (8,10&14Pin)
- ④ Nut Colour  
 0= Black      5= Green  
 1= White      6= Blue  
 2= Red        8= Grey  
 4= Yellow

NOTE:  
 1. MATERIAL:  
 1.1.HOUSING: THERMOPLASTIC,GREY,UL94V-0  
 1.2.CENTER CONTACT : COPPER ALLOY  
 1.3.CENTER WIRE : COPPER ALLOY  
 1.4.NUT A : THERMOPLASTIC,COLOUR,UL94V-0  
 1.5.NUT B : COPPER ALLOY  
 1.6.SPACER : THERMOPLASTIC,NATURAL,UL94V-0  
 2.NUMBER OF CONTACT : 2 TO 14 POSITION  
 3.RoHS DIRECTIVE COMPLIANCE  
 ④PANEL HOLE

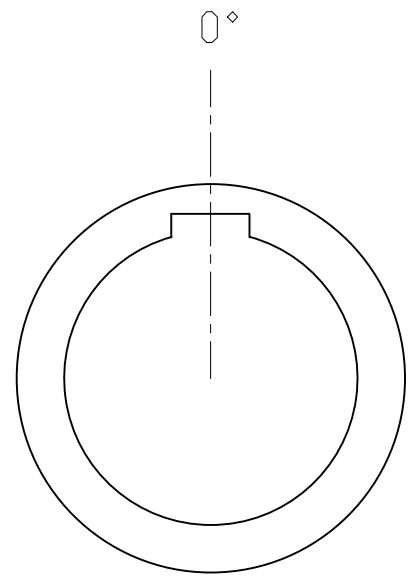
THIRD ANGLE PROJECTION 	TOLERANCES UNLESS OTHERWISE SPECIFIED
UNITS ■ mm □ INCH	0 PLC ± 1.00 1 PLC ± 0.50 2 PLC ± 0.25 3 PLC ± 4 PLC ±
ANGLES 0 PLC ± 3 1 PLC ± 2	

**CIRCON**<sup>®</sup>  
 Dongguan Circon Technology Co.,Ltd.

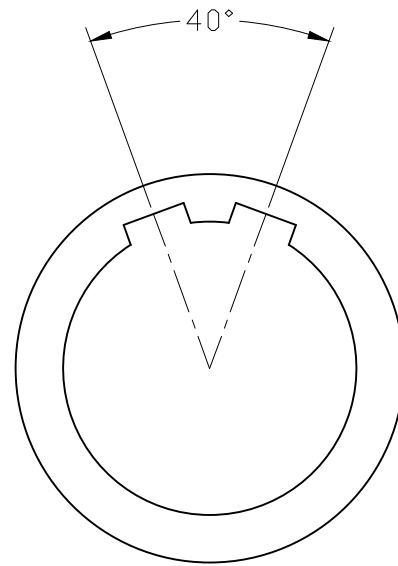
TITLE: 1P CIRCULAR CONNECTOR  
 FIXED 90° SOCKETS

B1	Change fo P/N	ECR18006	2018-3-1	CHECKED BY	CHARLES	DATE	2018-3-2	C	DRAWING NO.	A-M-008	REV.	B1
REV.	REVISION DESCRIPTION	ECR/ECN NO.	DATE	DRAWN BY	ANDY	DATE	2018-3-2		SIZE: A3	SCALE: 1:1	SHEET: 1 OF 4	

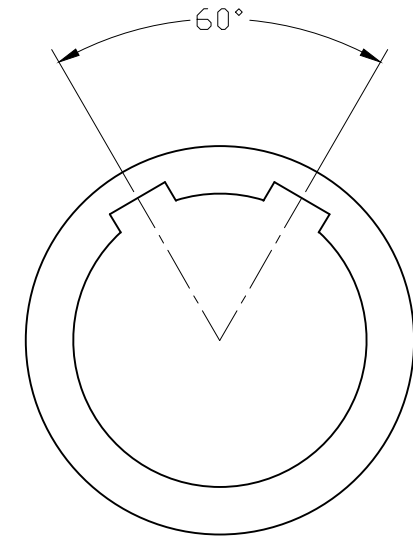
KEYING (RECEPTACLE FRONT VIEW):



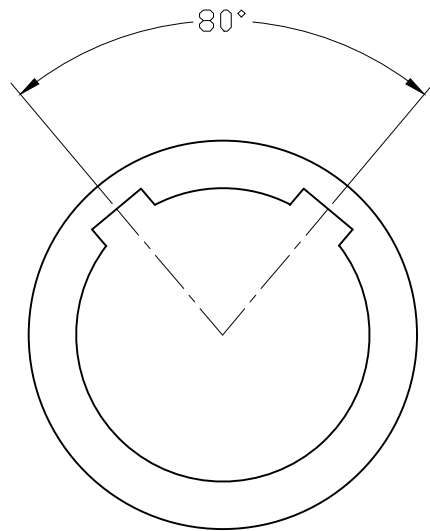
0



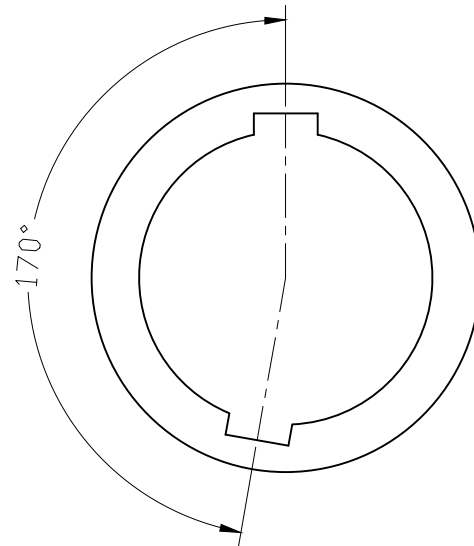
A



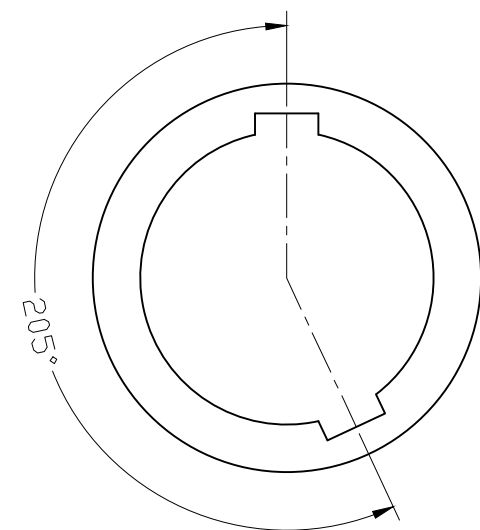
C



E



H



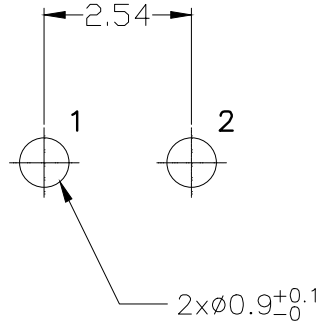
J

THIRD ANGLE PROJECTION 		TOLERANCES UNLESS OTHERWISE SPECIFIED		 Dongguan Circon Technology Co.,Ltd.	
UNITS <input checked="" type="checkbox"/> mm <input type="checkbox"/> INCH		0 PLC ± 1.00 1 PLC ± 0.50 2 PLC ± 0.25 3 PLC ± 4 PLC ±			
ANGLES 0 PLC ± 3 1 PLC ± 2		APPROVED BY JACK DATE 2018-3-2		TITLE: 1P CIRCULAR CONNECTOR FIXED 90° SOCKETS	
CHECKED BY CHARLES DATE 2018-3-2		DRAWN BY ANDY DATE 2018-3-2		C	DRAWING NO. A-M-008 REV. B1
REV. B1 Change fo P/N ECR18006 2018-3-1		ECR/ECN NO. DATE			PART NO. 1PXF5XXX0DX
REV.		REVISION DESCRIPTION		SIZE: A3 SCALE: 1:1 SHEET: 2 OF 4	

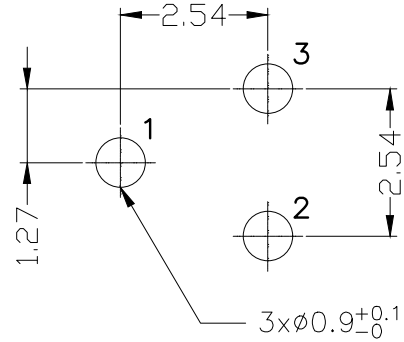
B1	Change fo P/N	ECR18006	2018-3-1
REV.	REVISION DESCRIPTION	ECR/ECN NO.	DATE

PCB DRILLING PATTEN:

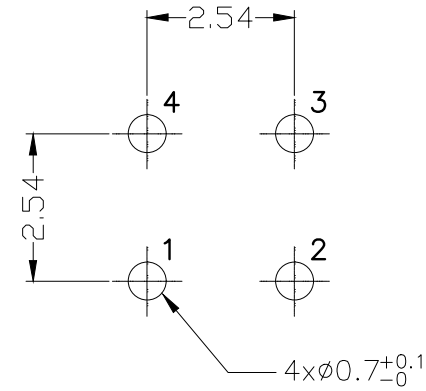
2 PIN



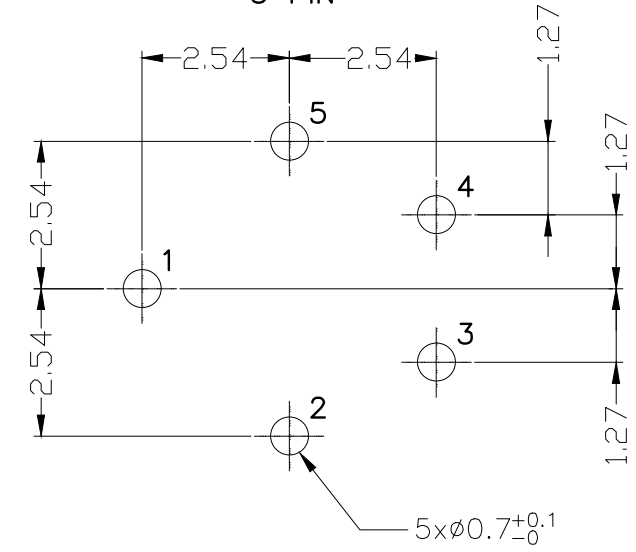
3 PIN



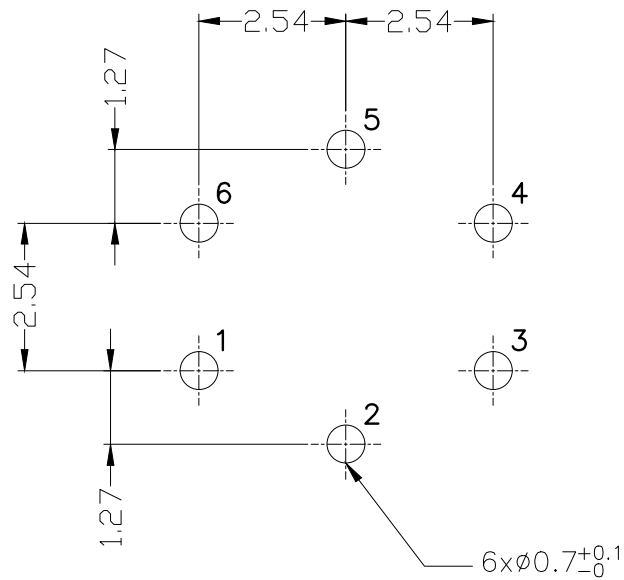
4 PIN



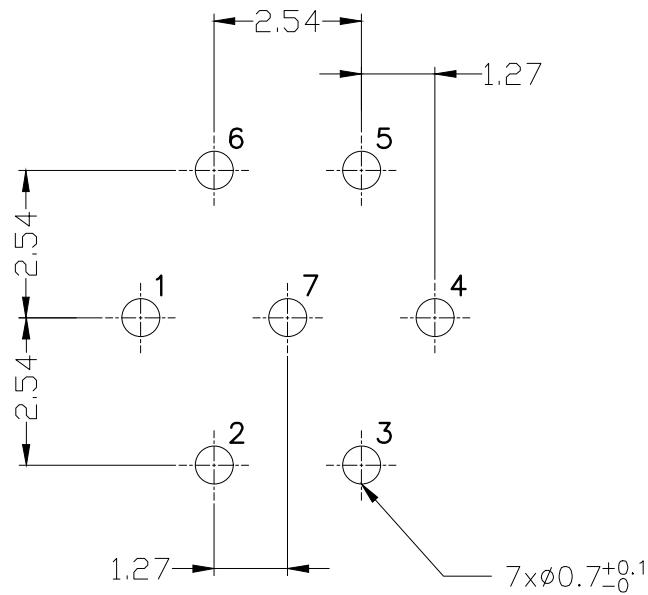
5 PIN



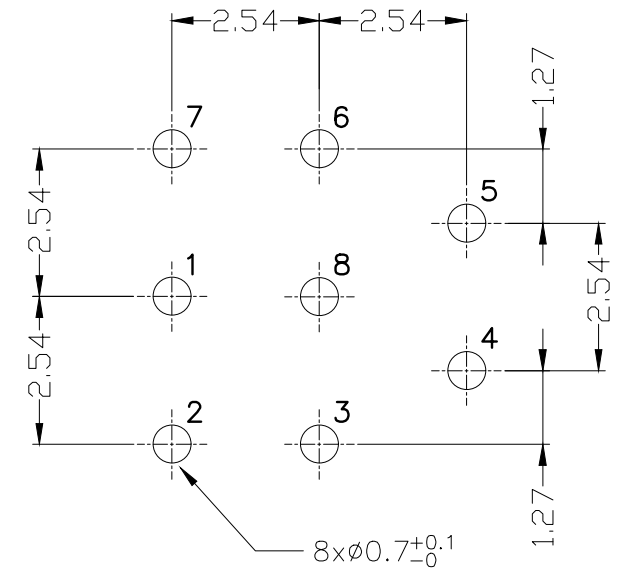
6 PIN



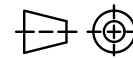
7 PIN



8 PIN



THIRD ANGLE PROJECTION



UNITS ■ mm □ INCH

ANGLES 0 PLC ± 3  
1 PLC ± 2

TOLERANCES UNLESS OTHERWISE SPECIFIED

0 PLC ± 1.00  
1 PLC ± 0.50  
2 PLC ± 0.25  
3 PLC ±  
4 PLC ±



Dongguan Circon Technology Co.,Ltd.

TITLE: 1P CIRCULAR CONNECTOR  
FIXED 90° SOCKETS

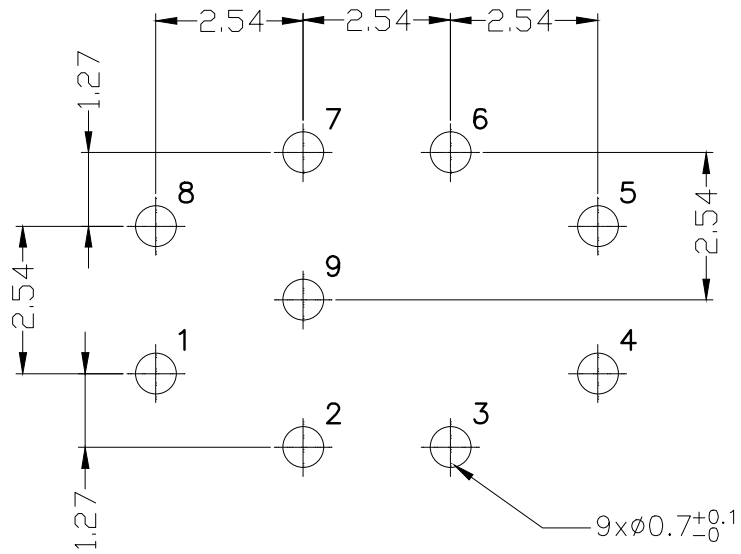
APPROVED BY	JACK	DATE	2018-3-2
CHECKED BY	CHARLES	DATE	2018-3-2
DRAWN BY	ANDY	DATE	2018-3-2

C	DRAWING NO.	A-M-008	REV.	B1	
	PART NO.	1PXF5XXX0DX			
SIZE:	A3	SCALE:	1:1	SHEET:	3 OF 4

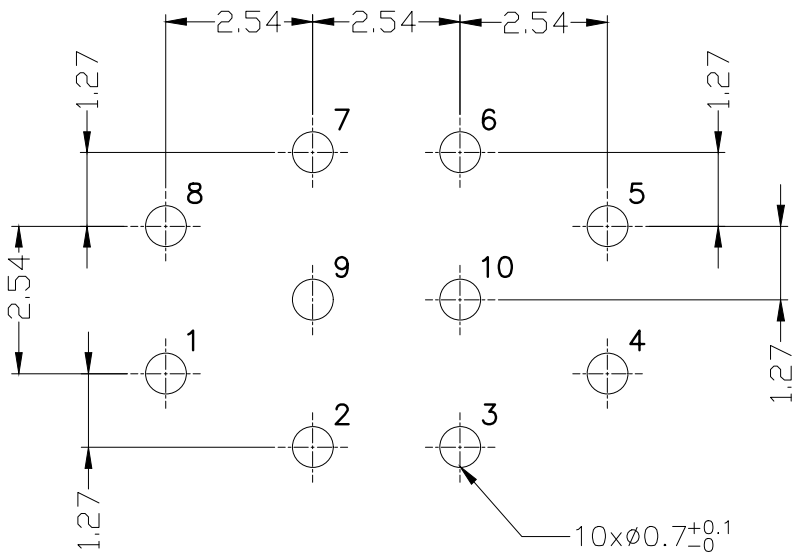
B1	Change fo P/N	ECR18006	2018-3-1
REV.	REVISION DESCRIPTION	ECR/ECN NO.	DATE

PCB DRILLING PATTEN:

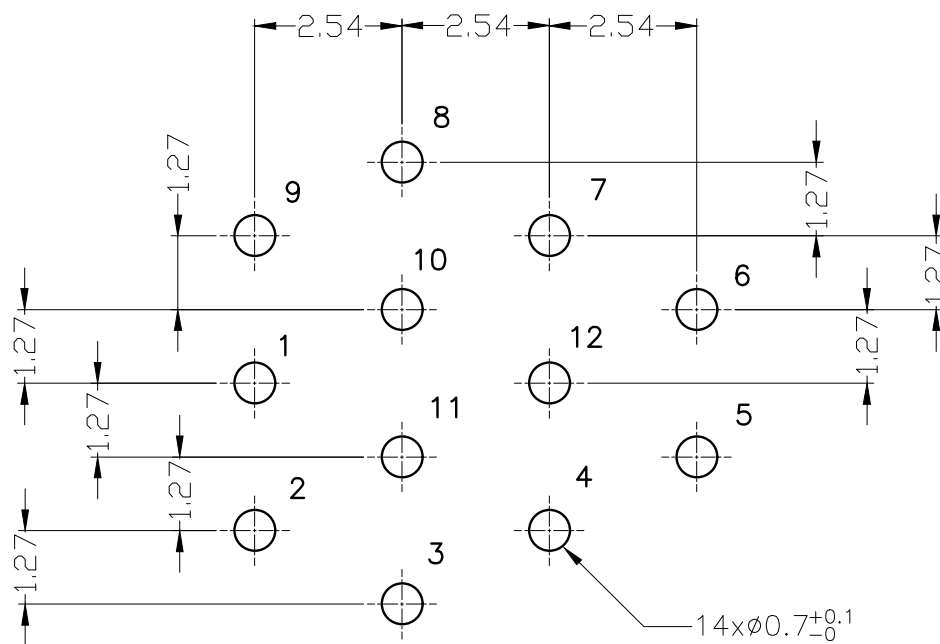
9 PIN



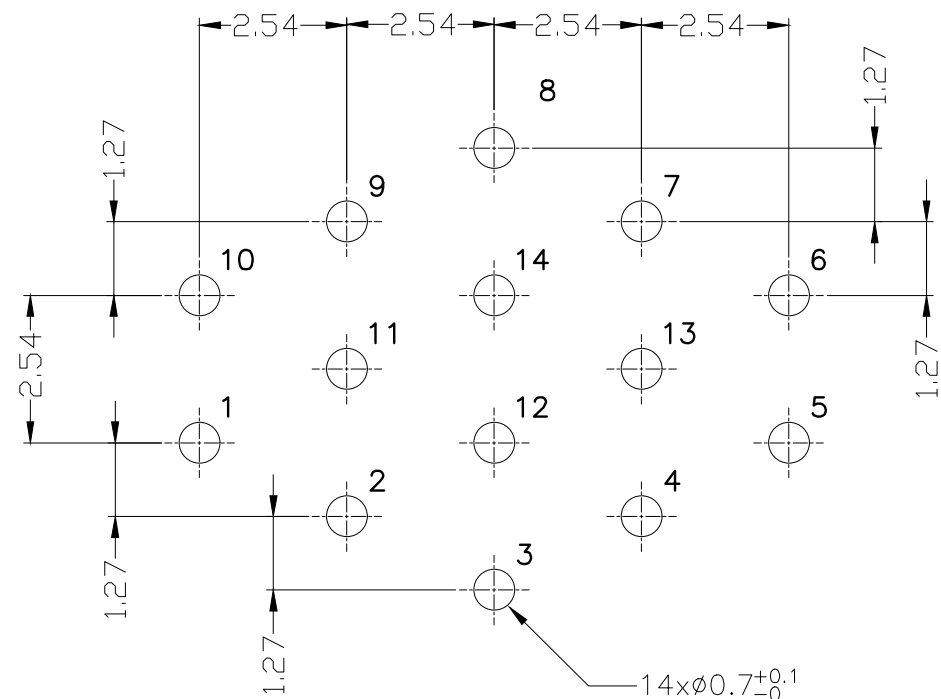
10 PIN



12 PIN



14 PIN



THIRD ANGLE PROJECTION 		TOLERANCES UNLESS OTHERWISE SPECIFIED		 Dongguan Circon Technology Co.,Ltd.	
UNITS <input checked="" type="checkbox"/> mm <input type="checkbox"/> INCH		0 PLC ± 1.00 1 PLC ± 0.50 2 PLC ± 0.25 3 PLC ± 4 PLC ±			
ANGLES 0 PLC ± 3 1 PLC ± 2		APPROVED BY JACK CHECKED BY CHARLES DRAWN BY ANDY		TITLE: 1P CIRCULAR CONNECTOR FIXED 90° SOCKETS	
REV. B1 REVISION DESCRIPTION Change fo P/N		ECR/ECN NO. ECR18006 DATE 2018-3-1		DRAWING NO. A-M-008 PART NO. 1PXF5XXX0DX	
		DATE 2018-3-2 DATE 2018-3-2 DATE 2018-3-2		REV. B1 SIZE: A3 SCALE: 1:1 SHEET: 4 OF 4	