

1P CIRCULAR ASSEMBLY P/N DESCRIPTION :

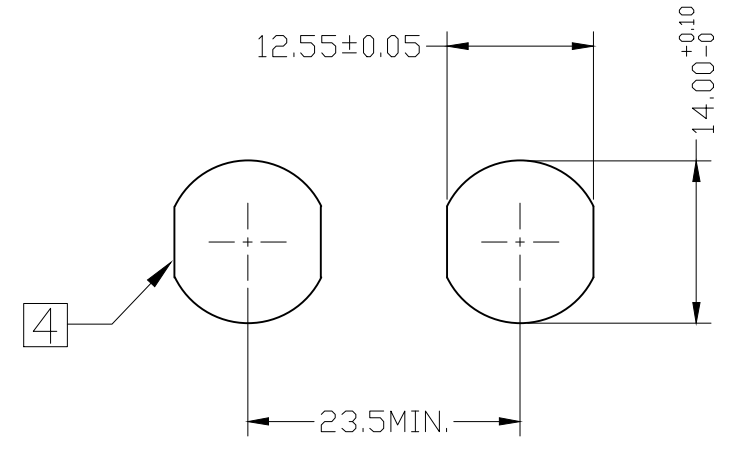
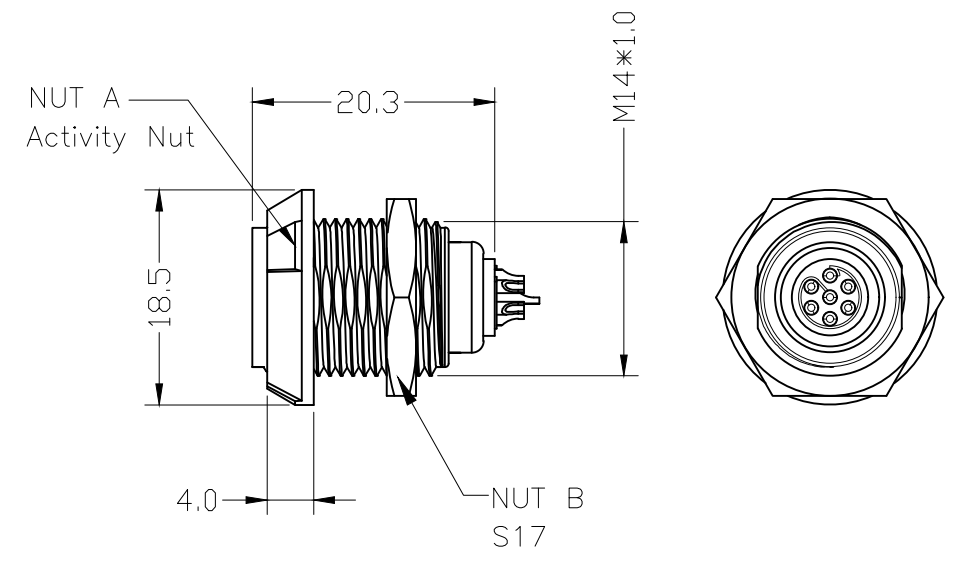
1P X F1 XX X 0 D X
 ① ② ③ ④

- ① Type
 A=Shell:PSU Grey
 B=Shell:PSU Black
 C=Shell:PEI Grey
 D=Shell:PEI Black
 E=Shell:PPSU Grey
 F=Shell:PPSU Black

- ② Number of contacts
 02=2Pin
 ...
 14=14Pin

- ③ Keying
 G= 0° (2-14Pin)
 A= 40° (2-14Pin)
 B= 60° (2-14Pin)
 C= 80° (2-14Pin)
 H= 170° (8,10&14Pin)
 J= 205° (8,10&14Pin)

- ④ Nut Colour
 0= Black 5= Green
 1= White 6= Blue
 2= Red 8= Grey
 4= Yellow



P/N:1PXF1XXX0DX

NOTE:

- MATERIAL:
 - SHELL: THERMOPLASTIC,UL94V-0
 - INSERT: THERMOPLASTIC-PEEK,UL94V-0
 - CENTER CONTACT : COPPER ALLOY, Au 20u" PLATING
 - NUT A : THERMOPLASTIC,UL94V-0
 - NUT B : COPPER ALLOY,Ni PLATING

2.NUMBER OF CONTACT : 2 TO 14 POSITION

3.RoHS DIRECTIVE COMPLIANCE

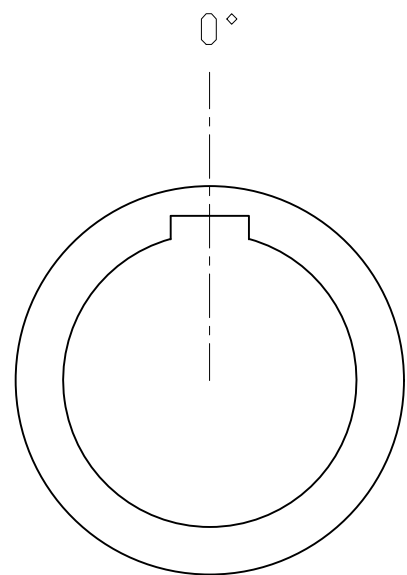
④PANEL HOLE

THIRD ANGLE PROJECTION 	TOLERANCES UNLESS OTHERWISE SPECIFIED
UNITS ■ mm □ INCH	0 PLC ± 1.00 1 PLC ± 0.50 2 PLC ± 0.25 3 PLC ± 4 PLC ±
ANGLES 0 PLC ± 3 1 PLC ± 2	

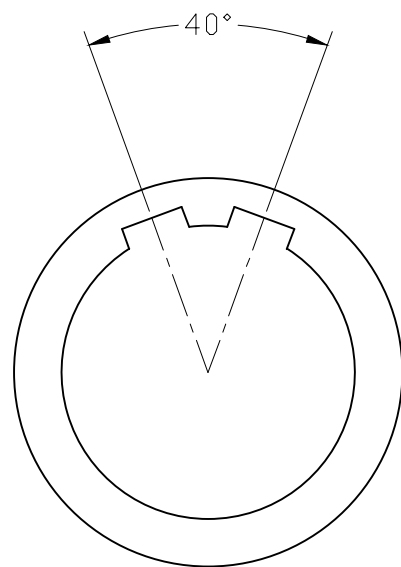
CIRCON[®]
 Dongguan Circon Technology Co.,Ltd.
 TITLE: 1P CIRCULAR CONNECTOR
 FIXED SOCKETS

B1	Change fo P/N	ECR18006	2018-3-1	CHECKED BY	CHARLES	DATE	2018-3-2	C	DRAWING NO.	A-M-002	REV.	B1
REV.	REVISION DESCRIPTION	ECR/ECN NO.	DATE	DRAWN BY	ANDY	DATE	2018-3-2		SIZE: A3	SCALE: 1:1	SHEET: 1 OF 2	

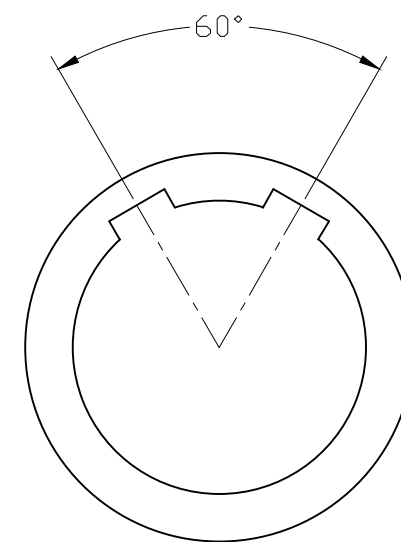
KEYING (RECEPTACLE FRONT VIEW):



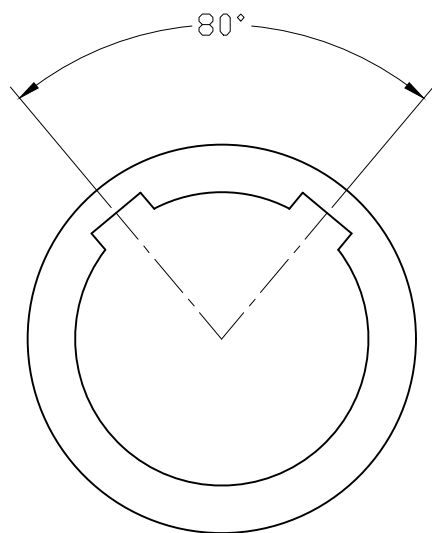
0



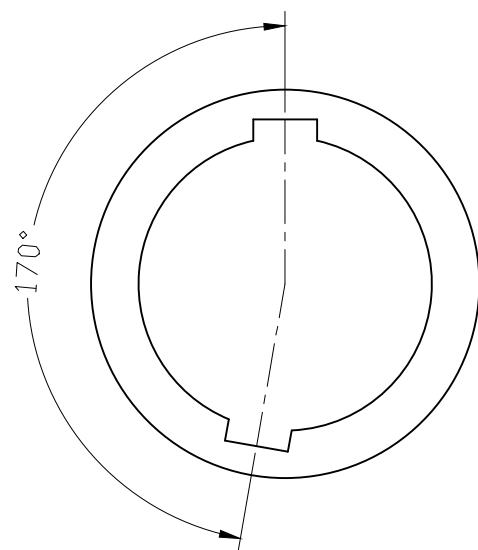
A



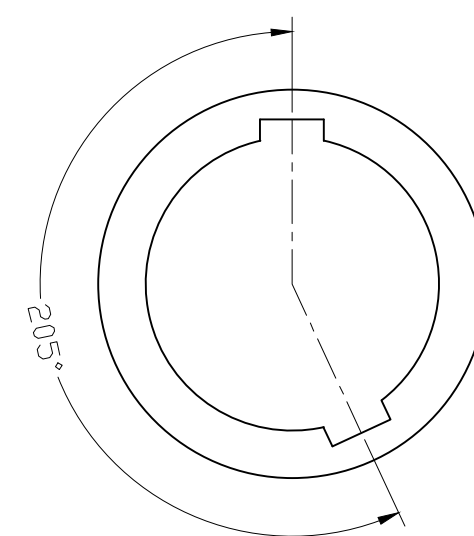
C



E



H



J

THIRD ANGLE PROJECTION 		TOLERANCES UNLESS OTHERWISE SPECIFIED		 Dongguan Circon Technology Co.,Ltd.			
UNITS <input checked="" type="checkbox"/> mm <input type="checkbox"/> INCH		0 PLC ± 1.00 1 PLC ± 0.50 2 PLC ± 0.25 3 PLC ± 4 PLC ±					
ANGLES 0 PLC ± 3 1 PLC ± 2		APPROVED BY JACK CHECKED BY CHARLES DRAWN BY ANDY		TITLE: 1P CIRCULAR CONNECTOR FIXED SOCKETS			
B1		Change fo P/N	ECR18006	2018-3-1	DATE 2018-3-2	C DRAWING NO. A-M-002 PART NO. 1PXF1XXX0DX	REV. B1
REV.	REVISION DESCRIPTION	ECR/ECN NO.	DATE	DATE 2018-3-2	DATE 2018-3-2		SIZE: A3